

# QD-VP

## Pneumatic Valve Driver

### Pneumatic valve controller for the QUADdaq and CANdaq series of products

- *Pneumatic valve drive for QUADdaq and CANdaq products*
- *Provides actuation of scanner C1 and C2 valves for re-zero and calibration.*
- *Two QD-VP's can be daisy-chained together and controlled by one QUADdaq / CANdaq.*
- *Complete with electrical output for external purge valve.*
- *Compact and rugged enclosure.*



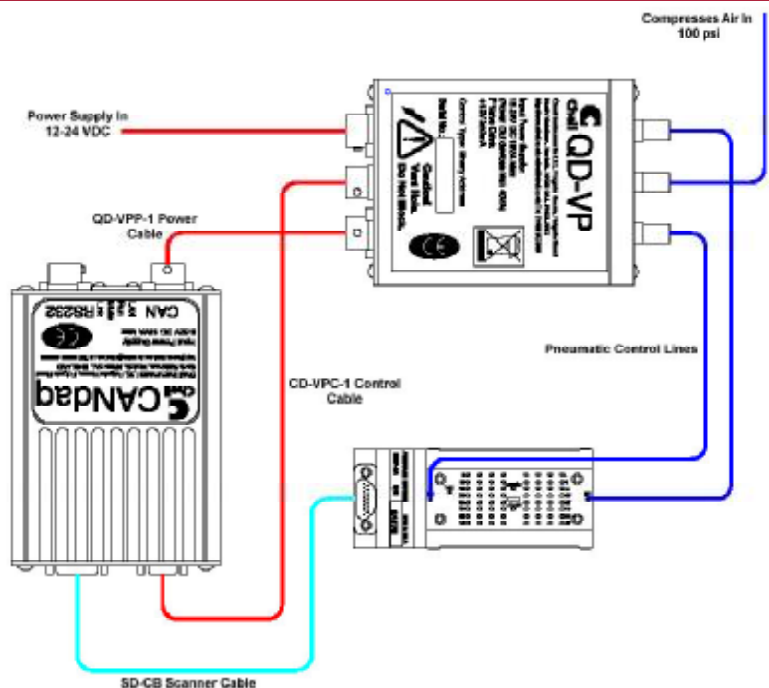
The QD-VP valve module is an accessory to the CANdaq range of acquisition devices. The module contains two solenoid valves designed to control the shuttle of Pressure System™ ESP pressure scanners. There is also an electrical drive to allow a solenoid valve to control purge gas. The valves are controlled via three address lines, and up to two QD-VP modules may be connected to one QUADdaq. Each valve being independently addressed.

The diagram to the right shows the layout of a typical system using a CANdaq. Dry, clean, compressed air is supplied to the QD-VP which switches this air to the C1 and C2 valves when requested by the CANdaq software.

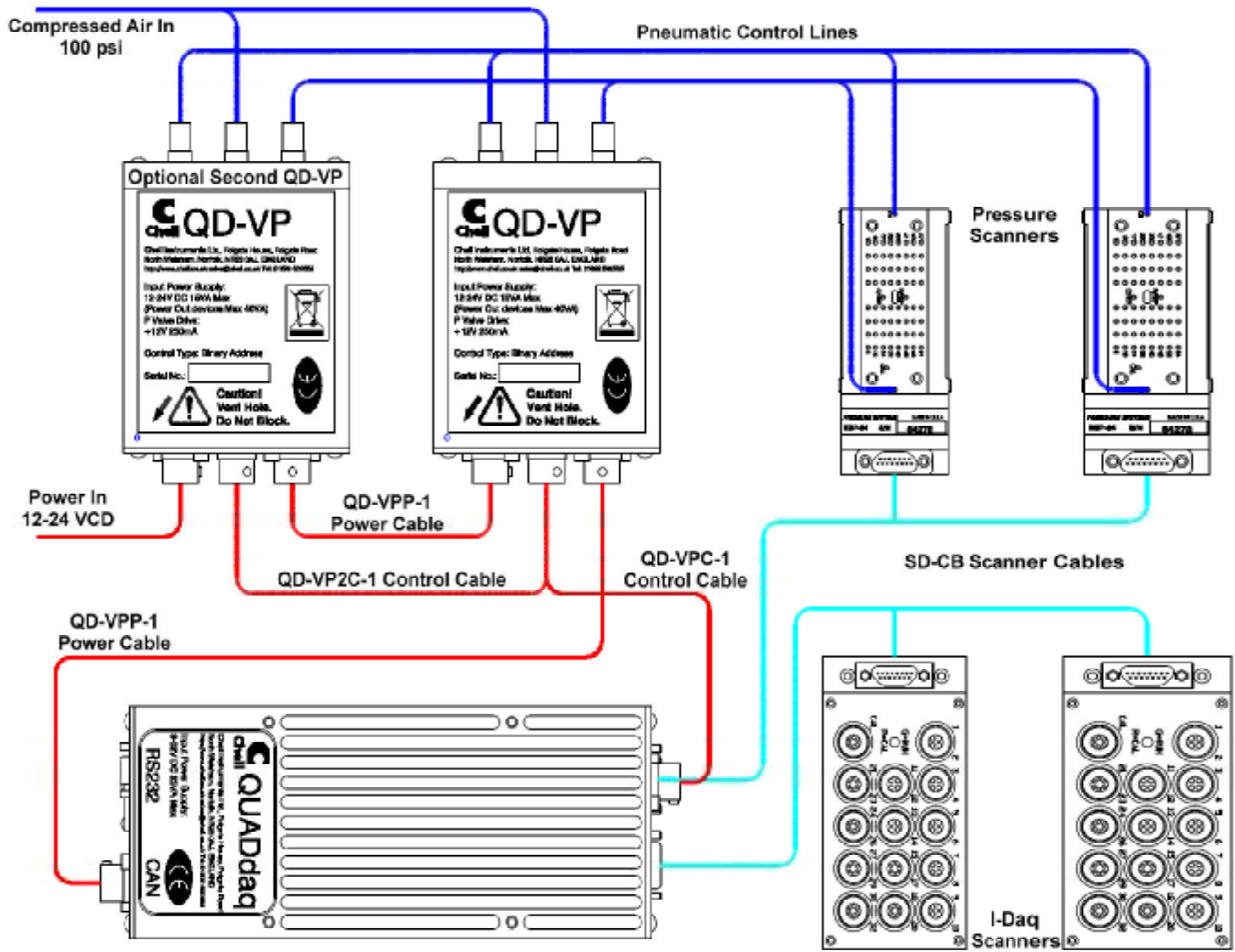
The diagram does not show the optional purge valve. This is an external valve (not supplied) which is connected to a 12 volt output of the QD-VP. This allows the user to select a high flow valve suited to the application.



#### Typical CANdaq Setup



# Typical QUADdaq Setup



Specifications	
Air supply	Clean, dry air @ 90-125 psig
Pneumatic connections	SMC M-5H-4, 4mm push-on fittings
Dimensions	117 x 70 x 29mm
Weight	295g
Line voltage	12-24 VDC
Consumption	6VA
Purge valve drive	12 volts @ 250mA