



PRODUCT DATA

Model 600 Barocel®

Absolute Vacuum/Pressure Transducer



The Model 600 Barocel transducer is an advanced design capacitance manometer which uses patented technology to improve zero stability after temperature excursions or pressure overloads. An integral vacuum reference of all-welded construction contains gettering material to ensure long-term stability.

In vacuum systems, the Model 600 is the ideal replacement for McLeod, Pirani, or thermocouple gauges. Since pressure is sensed by electrically measuring pressure-induced displacement of a thin metal membrane, calibration accuracy is unaffected by the chemical composition of input media.

Features & Benefits

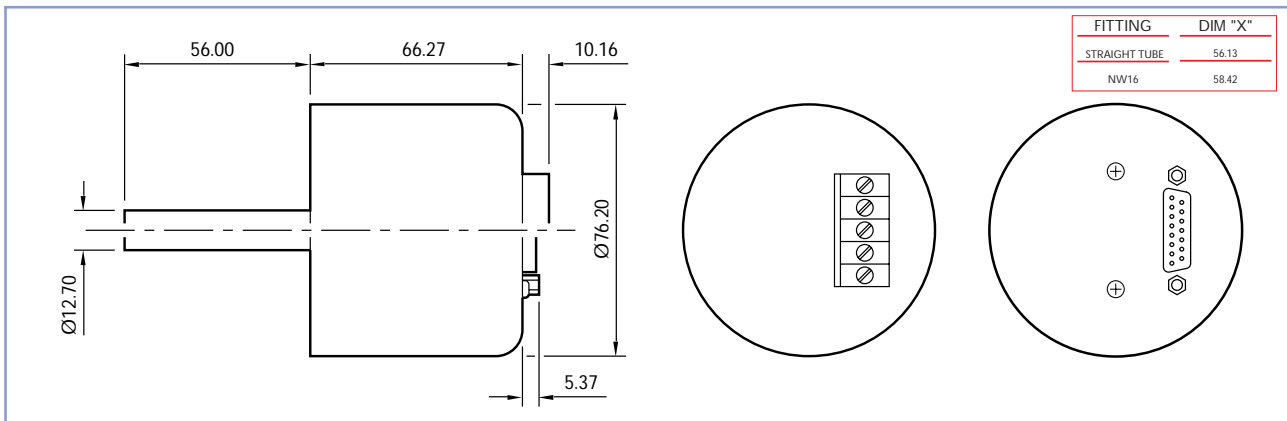
- Wide range
 - 4 decades
- High accuracy
 - 0.15% of reading
- High resolution
 - 0.01% full scale
- Unaffected by overpressure
 - Repeats within 0.01% full scale after being exposed to 2.4 bar (35 psia)
- True total pressure
 - Reading independent of gas composition
- High level output
 - 0-10 volts dc full scale, linear with pressure
- Superior zero stability
 - Patented design eliminates errors due to temperature and overpressure effects
- Stable zero reference
- Alternative for McLeod, Thermocouple and Pirani Gauges
- System versatility
 - Compatible with a variety of readouts and controllers
- Corrosion Resistant
 - Measuring cell constructed of Inconel/Monel for high corrosion resistance

TECHNICAL DATA

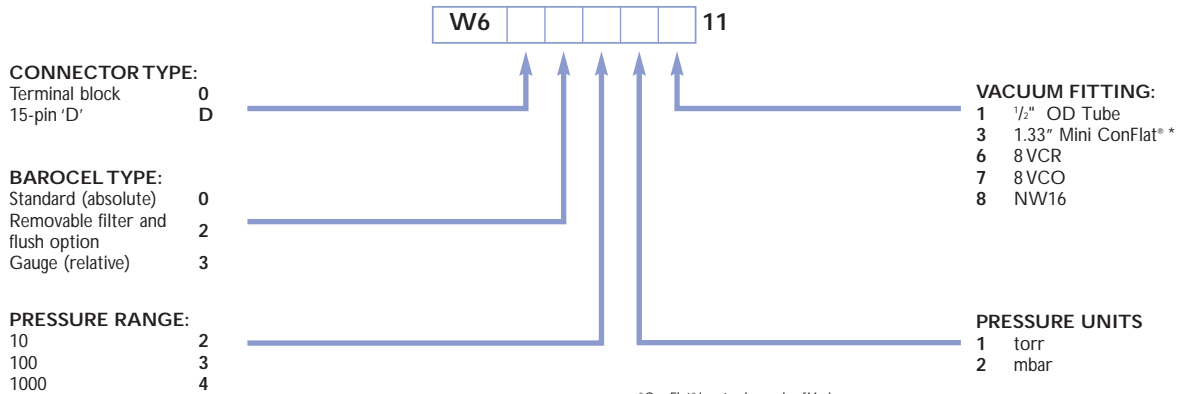
SPECIFICATIONS

- | | | | |
|-------------------------------------|--|--------------------------------------|--|
| • Pressure range | 0-10, 0-100, 0-1000 torr
0-10, 0-100, 0-1000 mbar
Ranges to 10,000 torr also available | • Overpressure effect | Repeats within 0.01% full scale after 2.4 bar (35 psia) exposure |
| • Accuracy | 0.15% of reading standard
0.5% of reading also available | • Material exposed to pressure media | Inconel and Monel |
| • Resolution | Better than 0.01% FS | • Internal volume | 8.3 cm ³ including 1/2" dia. tube |
| • Operating temperature | 0 to 65°C | • Time constant | 8 msec |
| • Temperature effect on zero | Less than 0.005% FS /°C | • Output signal | 0-10 Vdc, linear with pressure |
| • Temperature effect on sensitivity | Less than 0.02% reading /°C | • Power requirements | ±15 Vdc ±5% regulated to ±1% at 30mA |
| • Overpressure without damage | 1.25 times FS range or 2.4 bar (35 psia), whichever is greater | • RFI suppression | Standard on all models |
| | | • Weight | 0.7 kg (1.5lb) |

DIMENSIONS (mm)



ORDERING INFORMATION



PRODUCT DESCRIPTION

Adaptor cable Barocel 600 to AGC (female FCC68) 0.5m

ORDERING INFORMATION

D400-03-010