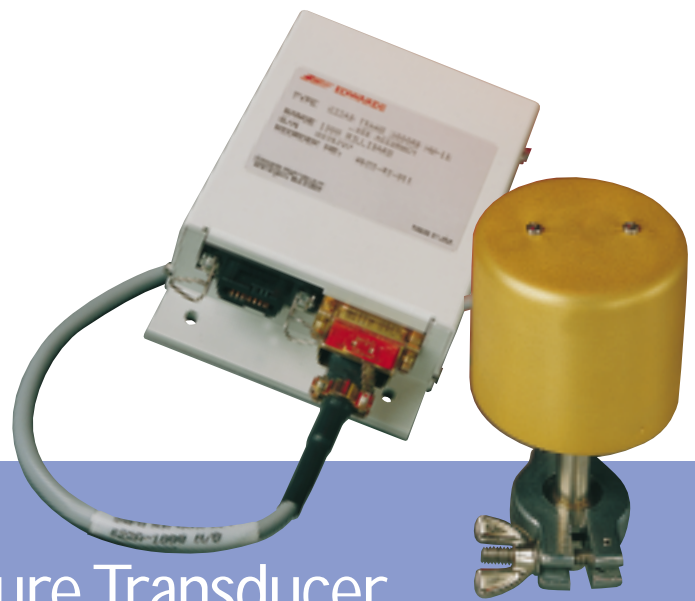




PRODUCT DATA

Model 622 Barocel[®] Bakeable Vacuum/Pressure Transducer



The Model 622 Bakeable Barocel is an adaptation of the field-proven Model 600 vacuum/pressure transducer. The signal conditioning electronic components are separated from the sensor, allowing it to be operated at 200°C as required by some applications. Among these applications are processes involving condensable gases, nuclear processes, and those requiring high temperature sterilization.

The sensor employs the same high performance features found in the Model 600. A temperature sensor within the transducer head provides zero sensitivity compensation to maintain accuracy over a wide temperature range. Removeable connectors at the electronic package help simplify installation. An integral vacuum reference of all-welded construction contains gettering material to ensure long term stability and eliminates the need for reference vacuum pumps.

Features & Benefits

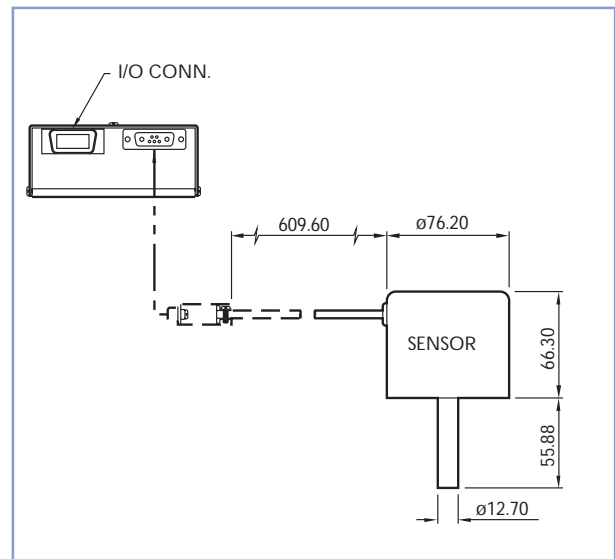
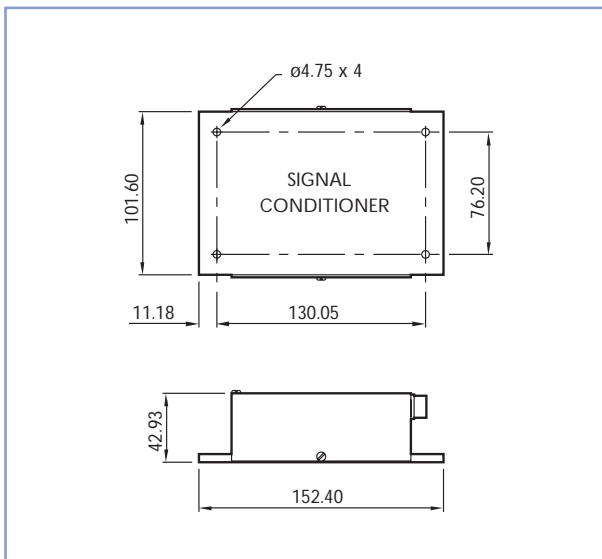
- Sensor bakeable and operable to 200°C
- Fully temperature compensated
- High accuracy
 - 0.15% of reading
- High resolution
 - Better than 0.01% full scale
- Stable zero reference
- Small overpressure effect
 - Repeats within 0.01% full scale after being exposed to 2.4 bar (35 psia)
- True total pressure
 - Reading independent of gas composition
- High level output
 - 0-10 volts dc full scale, linear with pressure

TECHNICAL DATA

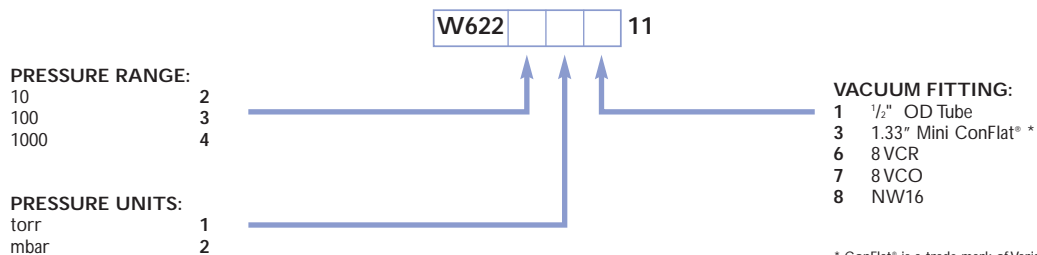
SPECIFICATIONS

• Pressure range	0-10, 0-100, 0-100 torr 0-10, 0-100, 0-1000 mbar Ranges to 10,000 torr also available	• Overpressure effect	Repeats within 0.01% full scale after 2.4 bar (35 psia) exposure
• Accuracy	0.15% of reading standard 0.5% of reading also available	• Material exposed to pressure media	Inconel and Monel
• Resolution	Better than 0.01% FS	• Internal volume	8.3 cm ³ including 1/2" dia. tube
• Operating temperature	0 to 200°C (sensor) 0 to 65°C (signal conditioner)	• Time constant	8 msec
• Temperature effect on zero	Less than 0.005% full scale /°C	• Output signal	0-10 Vdc, linear with pressure
• Temperature effect on sensitivity	Less than 0.02% reading /°C	• Power requirements	±15 Vdc ±5% regulated to ±1% at 30mA
• Overpressure without damage	1.25 times full scale range or 2.4 bar (35 psia), whichever is greater	• RFI suppression	Standard on all models
		• Approximate Weight:	1.3 kg (2.9lbs)

DIMENSIONS (mm)



ORDERING INFORMATION



PRODUCT DESCRIPTION

Adaptor cable Barocel 622 to AGC (female FCC68) 0.5m

ORDERING INFORMATION

D400-03-030