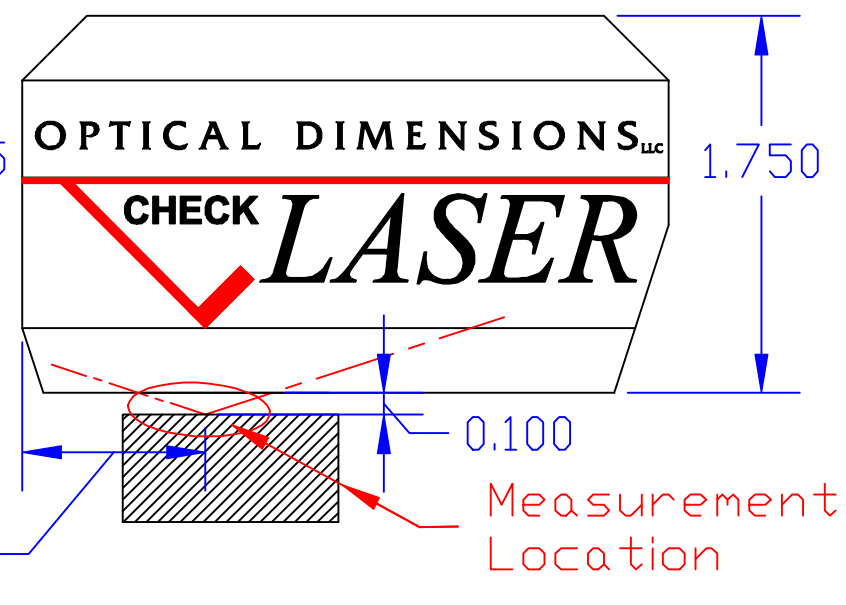
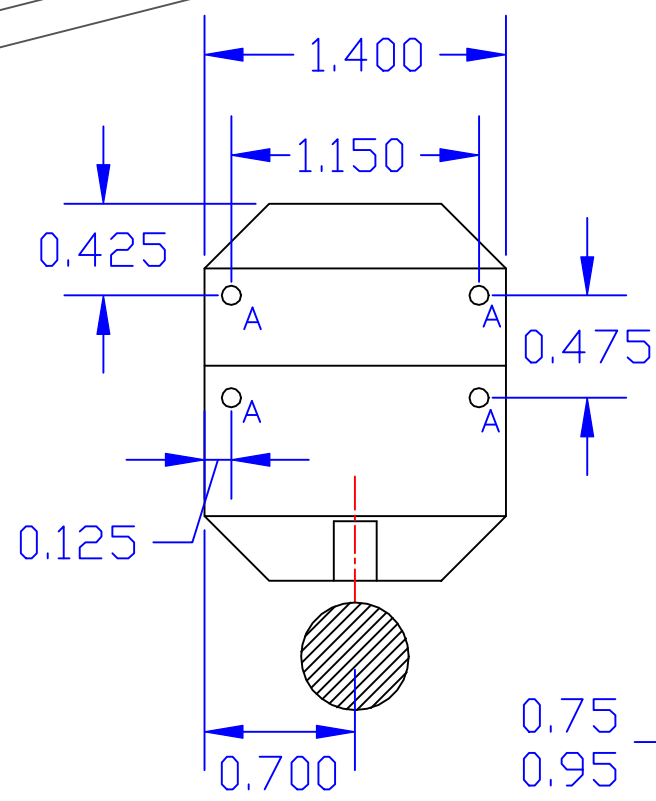
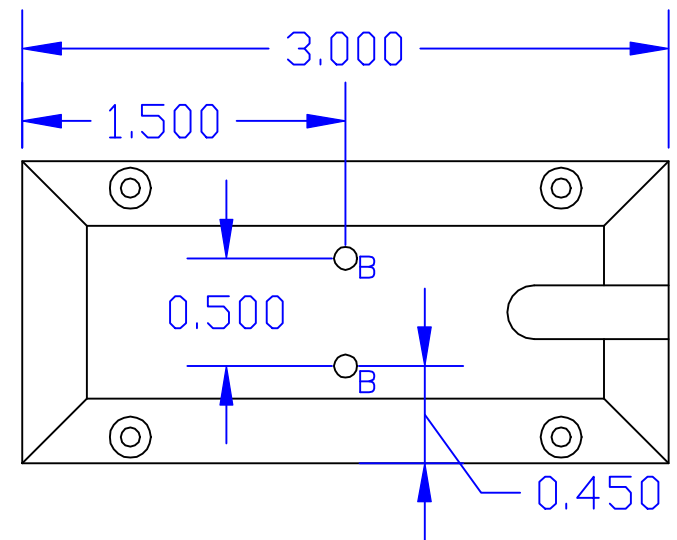
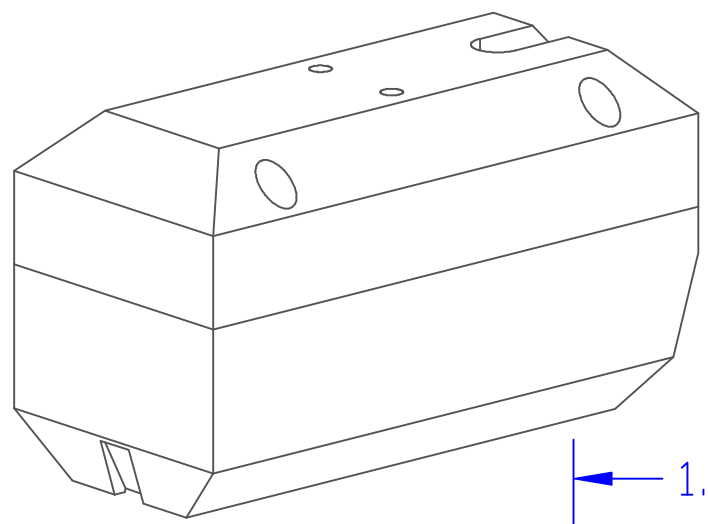


REV DATE:

SHEET 1 OF 1

PART NO:




4 NOTES: A = 8 x 4-40 tapped 0.25 deep
B = 2 x 6-32 tapped 0.25 deep
Units = inches

DWG NUMBER	DESCRIPTION
REFERENCES	

REVISIONS				
REV	DATE	DESCRIPTION	BY	APPD
A	09/19/02	New Drawing	MPF	

OPTICAL DIMENSIONS TITLE: Lasercheck 6212



TOLERANCES: DECIMAL: .xxx ± 0.005
.xx ± 0.01 ANGLE: .xx ± .x

DRAWN BY: CHKD BY: APPD BY: SCALE: REV: A