



0 ... 500 °C
32 ... 932 °F

Typical applications:

Plastics industry, Ceramics industry,
Road construction, Food industry,
Chemical industry

Scope of delivery:

IMS-type with inspection sheet, 1 m connection cable,
user manual, supply in INFRAPOINT-Box

IMS - Series

Small and solid Infrared-Mini-Sensor for non-contact
temperature measurement of non-metallic materials.
Easy handling and mounting.
Available with output voltage and
thermocouple type J and K.

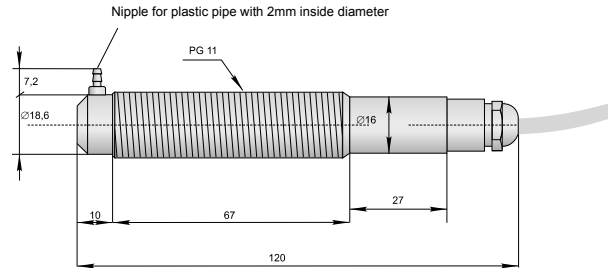


Fig.: Dimensions IMS

Technical Data	IMS-U	IMS-J	IMS-K
Measuring ranges	0 ... 100 °C 0 ... 120 °C 0 ... 300 °C 100 ... 500 °C	0 ... 120 °C 0 ... 300 °C 100 ... 500 °C	0 ... 120 °C 0 ... 300 °C 100 ... 500 °C
Spectral range	8 ... 14 µm	8 ... 14 µm	8 ... 14 µm
Distance/ spot size	5 : 1	5 : 1	5 : 1
Accuracy	1.5 % of measuring range	1.5 % of measuring range	1.5 % of measuring range
Repeatability	1 % of reading	1 % of reading	1 % of reading
Emissivity	fix, 95 %	fix, 95 %	fix, 95 %
Power supply	24 V DC ± 25 %	24 V DC ± 25 %	24 V DC ± 25 %
Power consumption	6.3 mA	6.3 mA	6.3 mA
Output	10 mV / °C, 2 ... 10 V (0 ... 100 °C)	Thermocouple type J	Thermocouple type K
Output resistance	50 Ohm	50 Ohm	50 Ohm
Response time t ₉₀	300 ms	300 ms	300 ms
Safety class	IP 65 (acc. to DIN 40050)	IP 65 (acc. to DIN 40050)	IP 65 (acc. to DIN 40050)
Operating temperature	0 ... 70 °C	0 ... 70 °C	0 ... 70 °C
Storage temperature	-30 ... 85 °C	-30 ... 85 °C	-30 ... 85 °C
Housing	Stainless steel	Stainless steel	Stainless steel
Weight	approx. 200 g	approx. 200 g	approx. 200 g
Order-No.	0 ... 100 °C 4 650 100 0 ... 120 °C 4 650 120 0 ... 300 °C 4 650 300 100 ... 500 °C 4 650 500	0 ... 120 °C 4 660 120 0 ... 300 °C 4 660 300 100 ... 500 °C 4 660 500	0 ... 120 °C 4 670 120 0 ... 300 °C 4 670 300 100 ... 500 °C 4 670 500

Accessories	Order-No.
Cooling jacket	4 749 201
90° mirror	4 749 202
Mounting support, adjustable	4 749 203
Mounting support, fix	4 749 204
LED-Display TDA 03, 24 V DC	4 749 205
LED-Display TDA 02, 230 V AC	4 749 206
Converter	4 749 208

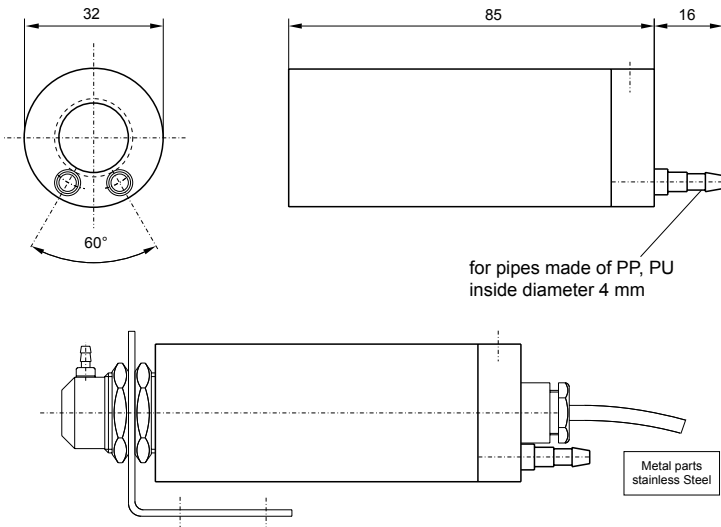
Cable extensions for output 10 mV/ °C * Cable extensions for output Typ J/ K *

to a total of 5 m	4 749 230	to a total of 5 m	4 749 234
to a total of 10 m	4 749 231	to a total of 10 m	4 749 235
to a total of 15 m	4 749 232	to a total of 15 m	4 749 236
to a total of 30 m	4 749 233	to a total of 30 m	4 749 237

* Cable length in between are calculated to the next higher price. (Example.: 7.5 m = Price 10 m)
Instruments with cable extension can not be returned.

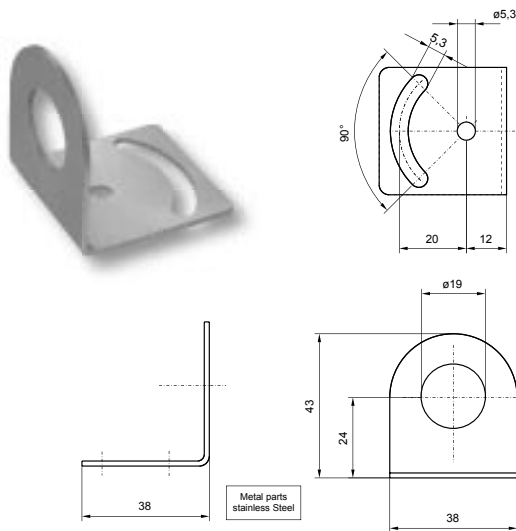


Stainless steel cooling jacket for air- or water cooling



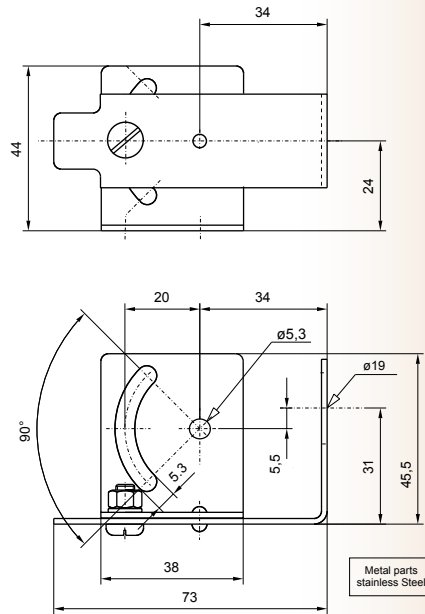
Order-No. 4 749 201

Fixed mounting support



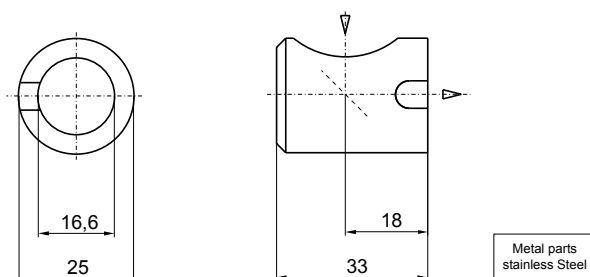
Order-No. 4 749 204

Adjustable mounting support



Order-No. 4 749 203

90° Stainless steel mirror



Order-No. 4 749 202