

UF AV5000
Area-Velocity
Flow Meter

for Open Channels and Pipes – No Flume or Weir required

Monitor flow through open channels, partially full sewer pipes and surcharged pipes *without* a flume or weir. Ideal for municipal stormwater, combined effluent, raw sewage and irrigation water.

The UF AV5000 uses a submerged ultrasonic sensor to continuously measure both Velocity and Level in the channel. The sensor resists fouling, corrosion and abrasion. The flowmeter can be configured with the standard submerged velocity-level sensor, or with submerged velocity plus a separate non-contacting ultrasonic level sensor.

View flowrate and total flow on the large backlit LCD display and connect to external devices with three 4-20mA outputs and two control relays.

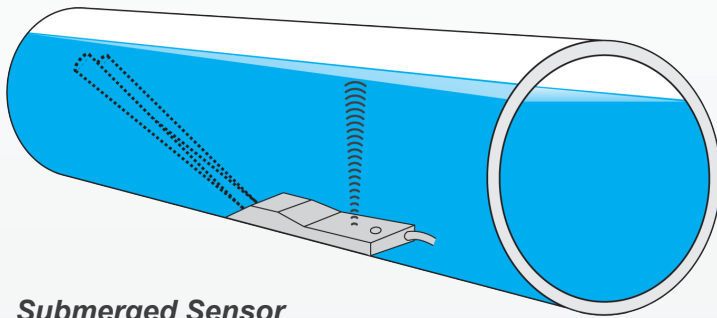
- **Display, Transmit and Totalise Flow in Open Channels and Pipes**
- **Measures Velocity + Level to Monitor Flow with an Ultrasonic Sensor**

- **Simple 5-key Calibration**
- **Three 4-20mA Outputs**
- **Two Control Relays**
- **Measures Reverse Flow**
- **Works in Irregular Channel Shapes**



Micronics

Ultrasonic Flow Monitor for Partially Filled Pipes & Open Channels



Submerged Sensor Measures Level and Velocity

Recommended Pipe or Channel Conditions

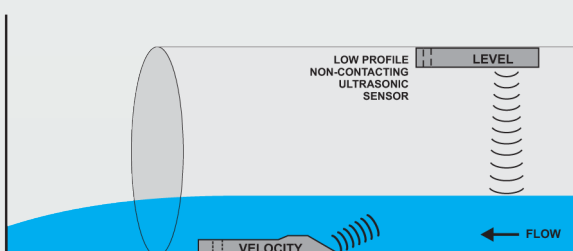
Careful selection of sensor mounting location results in best performance and maintenance-free operation. Avoid locations where sediment builds up.

Best possible accuracy will result when the water is not highly turbulent and where velocity is evenly distributed across the channel. The channel should not have drops or direction changes immediately upstream of the sensor mounting location. Pipe or channel slope should not exceed 3%.

The UF AV5000 can measure forward flow velocity up to 6 m/sec (20 ft/sec) and reverse flow up to 1.5 m/sec (5 ft/sec). The electronics and software sample and average flow rates continuously to provide stable readings. The submerged velocity/level sensor will measure flow in partially full and surcharged pipes with pressure up to 10 psi. No special set-up or adjustment is required. Minimum recommended pipe diameter is 150 mm (6").

Alternate Sensor Configurations

The standard sensor measures both velocity and level with a single submerged probe. It is installed in the pipe or channel floor with the stainless steel mounting bracket (supplied), or mounted with an optional stainless steel band for round pipes. Alternate sensor models are available for special applications: a separate non-contacting ultrasonic level sensor with a submerged velocity sensor. Sensor cable can be extended up to 150 m (500 ft).



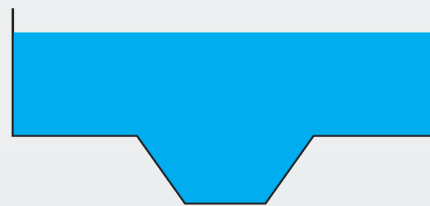
Easy to Use

The UF AV5000 Area-Velocity Flow Meter measures both Level and Velocity to calculate flow in an open channel or pipe. Calibration is simple: enter the pipe diameter or channel dimensions and the UF AV 5000 automatically computes and displays flow volume.

The ultrasonic sensor mounts inside the pipe or on the bottom of a channel with a stainless steel mounting bracket (included) and a single screw into the bottom of the pipe or channel. No special compounds, tools or hardware are required. The sensor is completely sealed with no orifices or ports.

Custom Channel Shapes

Calibrate the UF AV5000 for installation in irregular or compound channel shapes by entering the channel width at multiple level points through a simple menu. Channels of virtually any shape can be monitored with your choice of measurement units.



Optional 2-Million Point Data Logger

Choose the built-in data logger option if you want the UF AV5000 to store time and date-stamped flow values at 10 second to 60 minute intervals. Daily flow reports are automatically created where total, minimum, maximum and average flow rates are displayed on the LCD display. Transfer log files to any USB flash drive just by connecting to the logger's USB output. Windows software is included to display log files in graph and table formats, change measurement units and generate flow reports. Export data to graphic or text file formats, or directly to Microsoft Excel.



UF AV5000 Specifications

General Specifications UF AV5000 Area-Velocity Flow Monitor

Channel Types:	Round pipe, Rectangular, trapezoid, egg or custom shapes
Electronics Enclosure:	Watertight and dust tight NEMA4X (IP66) polycarbonate with clear, shatterproof cover
Accuracy:	Level: $\pm 0.25\%$ of Range. Velocity: $\pm 2\%$ of Reading. Repeatability and Linearity: $\pm 0.1\%$
Displays:	White, backlit matrix - displays flow rate, totalizer, relay states, operating mode and calibration menu
Programming:	built-in 5-key calibrator with English, French or Spanish language selection
Power Input:	100-240VAC 50-60Hz (see Options), 5.28 Watts maximum (with standard features)
Outputs:	3 Isolated 4-20mA, 1000 ohm, (Flow, Level and Velocity) or 0-5VDC by menu selection
Control Relays:	2 Relays, form 'C' dry contacts rated 5 amp SPDT; programmable for flow proportional pulse (sampler/totalizer), flow and/or level alarm
Electrical Surge Protection:	Sensor, 4-20mA outputs and AC power input
Operating Temp. (electronics):	-20° to 60°C (-5° to 140°F)
Approximate Shipping Weight:	4.5 kg (10 lbs.)

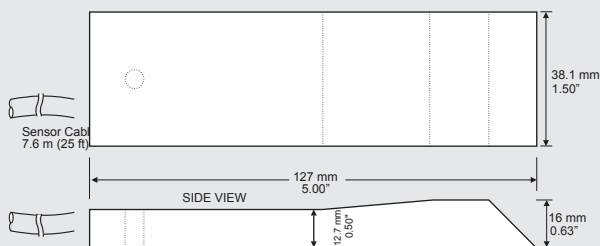
QZ02L Sensor

Velocity Measurement Range:	0.03 to 6.2 m/sec (0.1 to 20 ft/sec) and reverse flow to -1.5 m/sec (-5 ft/sec)
Level Measurement Range:	Minimum Head: 25 mm (1"). Maximum Head: 4.5 m (15 ft)
Operating Temperature:	-15 to 65°C (5 to 150°F)
Exposed Materials:	PVC, epoxy resin, polyurethane
Sensor Cable:	7.6 m (25 ft.) submersible polyurethane jacket, shielded, 3-coaxial
Sensor Mounting:	includes MB-QZ stainless steel mounting bracket
Temperature Compensation:	Automatic, continuous

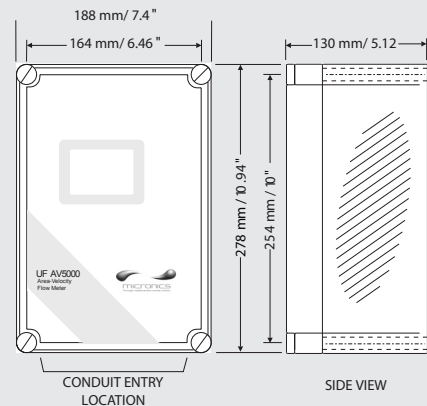
Options

Data Logging:	Programmable 2-million point data capacity, time and date stamped plus formatted flow reports including Total, Average, Minimum, Maximum and times of occurrence. Includes USB output to Flash Drives and Windows software
Sensor Cable:	15 m (50 ft) or 30 m (100 ft) submersible, continuous from Sensor - or splice up to total of 150 m (500 ft) length
Sensor Cable Junction Box:	Watertight NEMA4 steel with connection terminal strip
Power Input:	9-32VDC (2.5 W min., 6.5 W max.)
Enclosure Heater:	Thermostatically controlled - recommended for temperatures below 0°C (32°F)
Intrinsic Safety Barriers:	For Sensor mounting in Class I,II,III, Div. I,II, Groups C,D,E,F,G hazardous locations
Sensors:	Separate non-contacting ultrasonic level sensor and submerged velocity sensor
Sensor Mounting Bands:	Stainless steel sensor mounting bands for pipes 150 to 1800 mm (6" to 72") diameter


Dimensions



QZ02L VELOCITY/LEVEL SENSOR



ELECTRONICS ENCLOSURE



UF AV5000 Area-Velocity Flow Meter

New Open Channel Flow Monitor Measures Velocity + Level to calculate Flow



Recommended for:

- **Sewer Flow Monitoring and Reporting**
- **Industrial Effluent**
- **Stormwater Monitoring**
- **Natural Streams**
- **Irrigation Water**

- **Measure flow in pipes and open channels of any shape**
- **Ideal where flumes or weirs are difficult to install**
- **Works with water level from 25 mm (1") to 4.5 m (15 ft)**
- **Auto-detects field installation of options including data logger and control relays**

The UF AV5000 Area-Velocity Flow Meter includes a submerged ultrasonic sensor that is installed at the bottom of an open pipe or channel. Exposed materials are plastic so the sensor resists fouling and corrosion. It has no moving parts and no orifices, ports or electrodes.

The UF AV5000 displays and totalizes flow. It includes three 4-20mA outputs (Flow, Level and Velocity), plus two control relays for level alarms or flow proportionate pulse output for samplers and chlorinators. It is easy to calibrate with the built-in keypad and menu system. A built-in 2-million point data logger with USB output is optional. Intrinsic Safety Barriers for sensor and cable installation in hazardous rated channels is also optional.



Micronics Limited, Knaves Beech Business Centre, Davies Way, Loudwater,
High Wycombe, Buckinghamshire, United Kingdom, HP10 9QR

Telephone: +44 (0) 1628 810 456

E-mail: sales@micronicsltd.co.uk

Fax: +44 (0) 1628 531 540

Web-site: www.micronicsflowmeters.com